

# ARKIMEDE 115 - PAVING



## INDEX

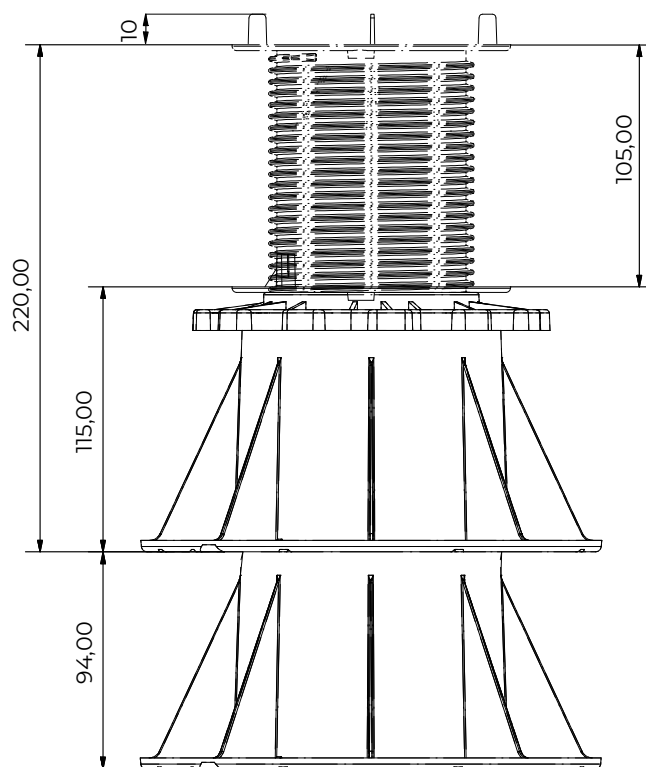
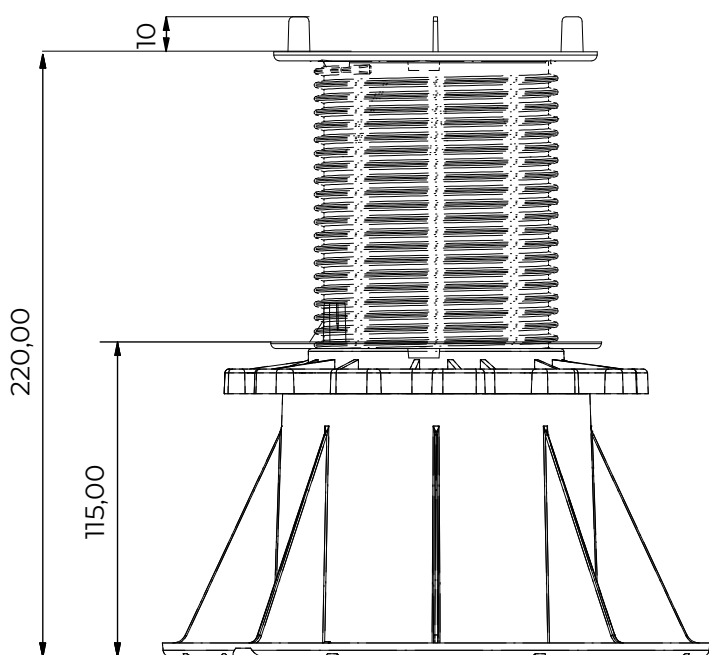
1. Code Registry
2. Use
3. Technical Specification

## 1. CODE REGISTRY

Code	Description	Dimension (mm)	Weight	Pkg. / Pallet
TER09-1173/4A2M	ARKIMEDE 115 Paving - 4 wings for 2mm joint	from 115 to 220	0,358 kg/pc.	15 pcs. / 225 pcs.
TER09-1173/4A3M	ARKIMEDE 115 Paving - 4 wings for 2mm joint	from 115 to 220	0,358 kg/pc.	15 pcs. / 225 pcs.
TER09-1173/4A4M	ARKIMEDE 115 Paving - 4 wings for 2mm joint	from 115 to 220	0,358 kg/pc.	15 pcs. / 225 pcs.

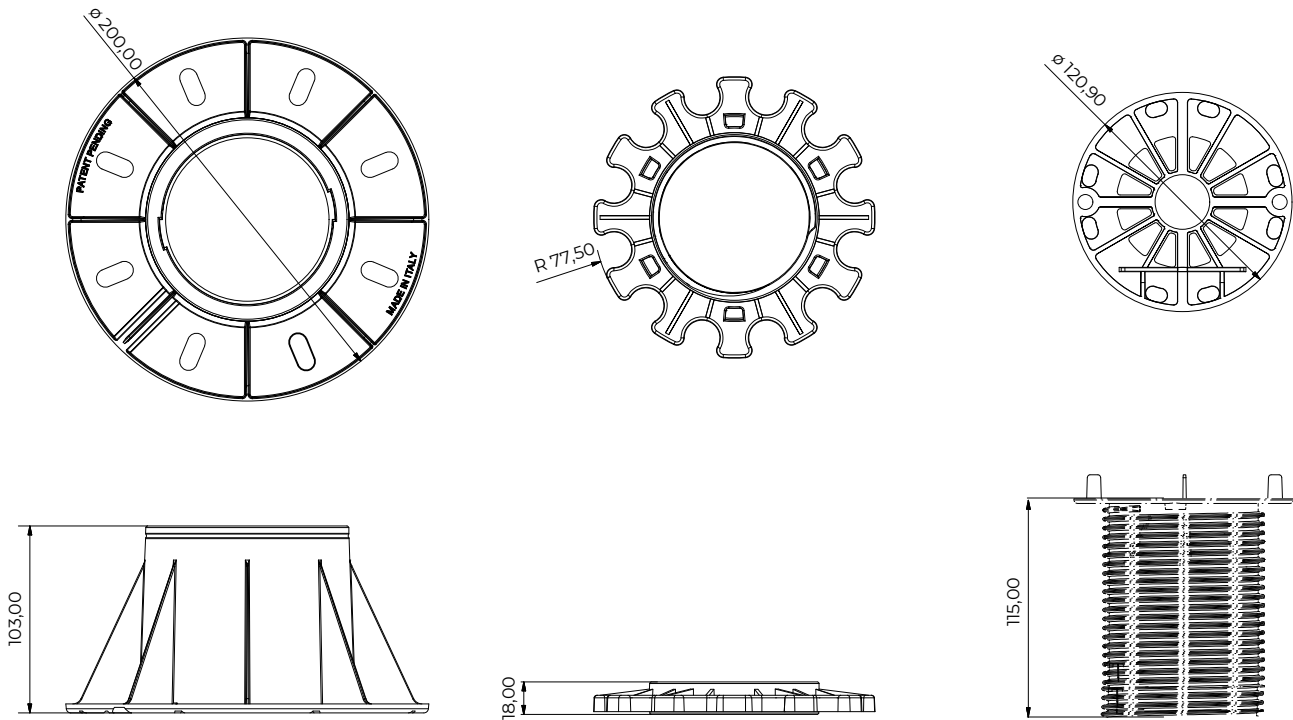
## MATERIAL

Made of PP (polypropylene).



Each base has a special bottom shape that allows to be stack on another base.

# ARKIMEDE 115 - PAVING



## 2. USE

Used in external areas, terraces, pavements.

Operating temperature: from - 40 ° C to + 80 ° C.

## 3. TECHNICAL SPECIFICATION

Specification	Description	Unity	Price
<b>Dak.O.TER09-1173/x</b>	Supply and installation of ARKIMEDE 115 - Decking support with adjustable height starting from 115 mm. Base laying surface: 314 cm². Head diameter: 120 mm with a laying surface of 113 cm². Available versions: • Box composed by the base, rotating nut and head with 1 tab for joists. The base allows the correct water drainage. Made of PP (polypropylene). Used in external areas, terraces, pavements.		
<b>Dak.O.TER09-1173/4A2M</b>	Arkimede 115 Paving - 4 wings for 2mm joint.....	pc.	-
<b>Dak.O.TER09-1173/4A3M</b>	Arkimede 115 Paving - 4 wings for 3mm joint.....	pc.	-
<b>Dak.O.TER09-1173/4A24M</b>	Arkimede 115 Paving - 4 wings for 4mm joint.....	pc.	-