

ARKIMEDE 60 - PAVING



INDEX

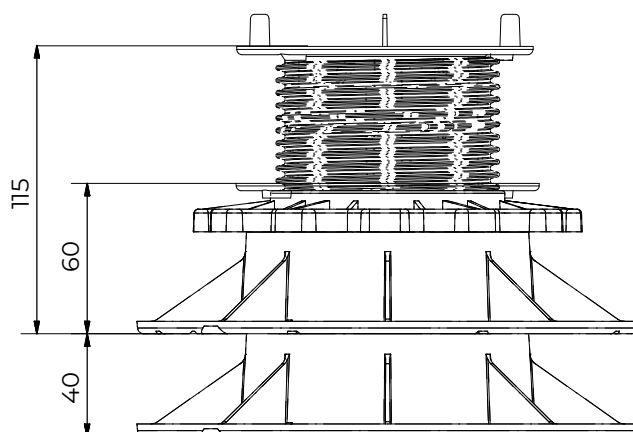
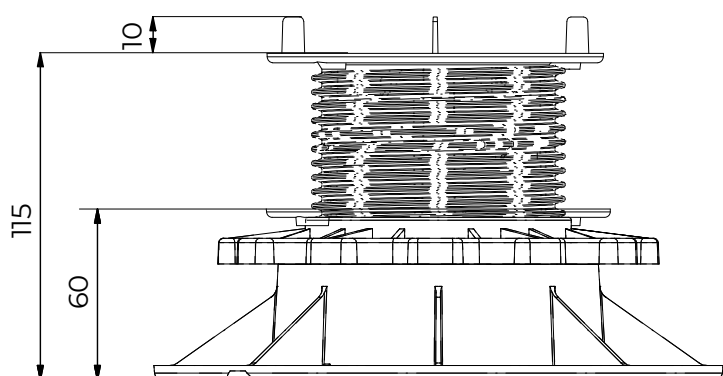
1. Code Registry
2. Use
3. Technical Specification

1. CODE REGISTRY

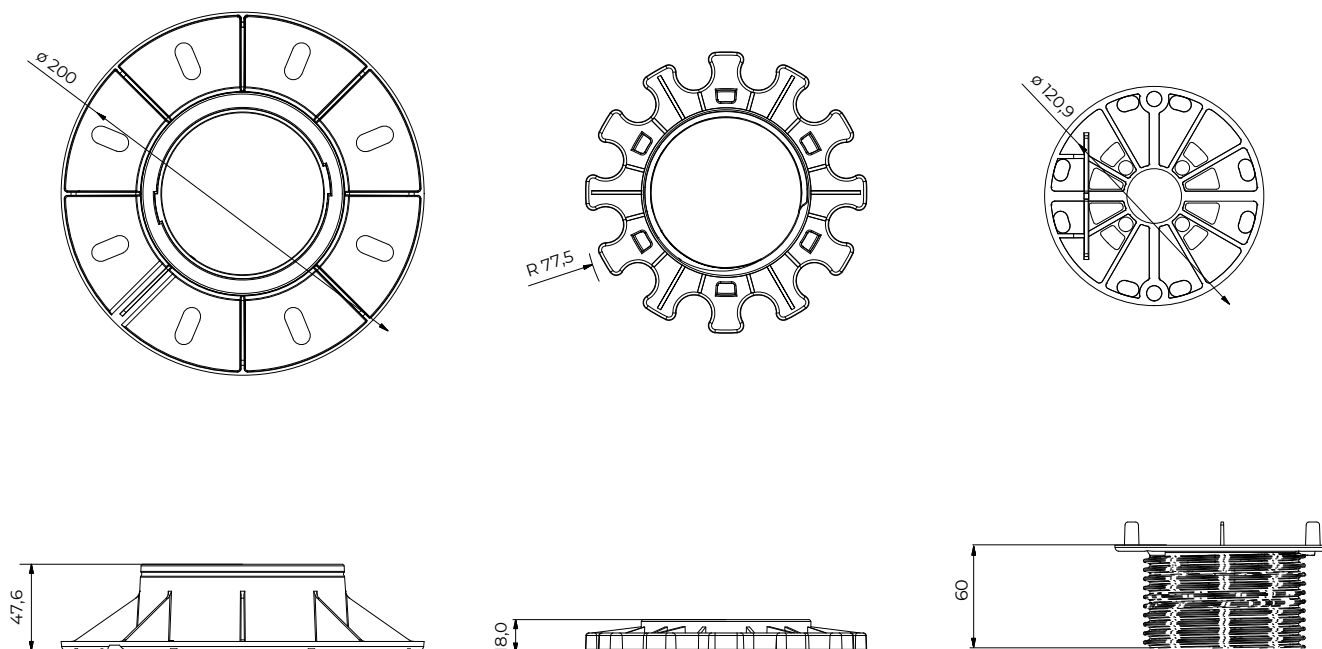
Code	Description	Dimension (mm)	Weight	Pkg. / Pallet
TER09-1163/4A2M	ARKIMEDE 60 Paving 4 wings for 2 mm joint	from 60 to 115	0,24 kg/pc.	30 pcss. / 450 pc.
TER09-1163/4A3M	ARKIMEDE 60 Paving 4 wings for 3 mm joint	from 60 to 115	0,24 kg/pc.	30 pcss. / 450 pc.
TER09-1163/4A4M	ARKIMEDE 60 Paving 4 wings for 4mm joint	from 60 to 115	0,24 kg/pc.	30 pcss. / 450 pc.

MATERIAL

Made of PP (polypropylene).



ARKIMEDE 60 - PAVING



2. USE

Used in external areas, terraces, pavements.

Operating temperature: from - 40 ° C to + 80 ° C.

3. TECHNICAL SPECIFICATION

Specification	Description	Unity	Price
Dak.O.TER09-1163/x	Supply and installation of ARKIMEDE 60 - Decking support with adjustable height starting from 60 mm. Base laying surface: 314 cm². Head diameter: 120 mm with a laying surface of 113 cm². Available versions: · Box composed by the base, rotating nut and head with 1 tab for joists. The base allows the correct water drainage. Made of PP (polypropylene). Used in external areas, terraces, pavements.		
Dak.O.TER09-1163/4A2M	Arkimede 60 Paving - 4 wings for 2 mm joint.....	pc.	-
Dak.O.TER09-1163/4A3M	Arkimede 60 Paving - 4 wings for 3 mm joint.....	pc.	-
Dak.O.TER09-1163/4A4M	Arkimede 60 Paving - 4 wings for 4mm joint.....	pc.	-