

LEVEL UP - CERAMIC



INDEX

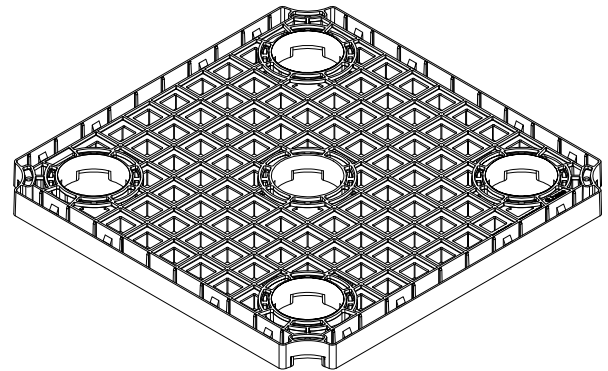
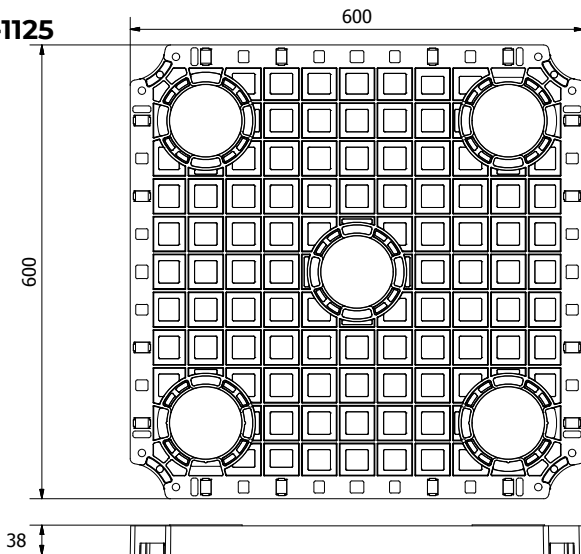
1. Code Registry
2. Use
3. Load Tests
4. Technical Specification

1. CODE REGISTRY

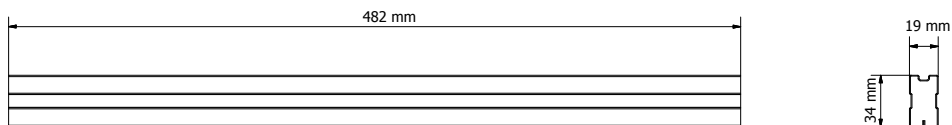
Product Code	Description	Material	Measure (mm)	Weight	Colour	Pkg. / Pallet
TER09-1125	Laying Module	PP (polypropylene)	600 x 600	2,60 kg/pc.	Black	1 pc. / 30 pc.*
POZ95-1313	Reinforcement profile	Galvanized Steel	482	0,28 kg/pc.	Galvanized	30 pc. / - pc.*
TER09-1126KT	Support base+ Support adjustment + Fixing support	PP (polypropylene)	from 48 to 74	7,60 kg/pc.	Black	38 pc. / 570 pc.*
TER09-1130	Extension h.25 mm	PP (polypropylene)	h. 25	0,09 kg/pc.	Black	38 pc. / 1520 pc.*
TER09-1129	Extension h.50 mm	PP (polypropylene)	h. 50	0,14 kg/pc.	Black	38 pc. / 760 pz*.
TER09-1133	Fixed Connector	PP (polypropylene)	ø 123 - h. 40	0,2 kg/pc.	Black	100 pc. / 3.000 pc.
TER09-1144	Sound absorbing mat	Rubber (TPV)	200 x 200 - thick. 3	0,09 kg/pc.	Black	80 pc. / 6.720 pc.

*Product's quantities on each packaging are defined to cover an area of 5.4 m²

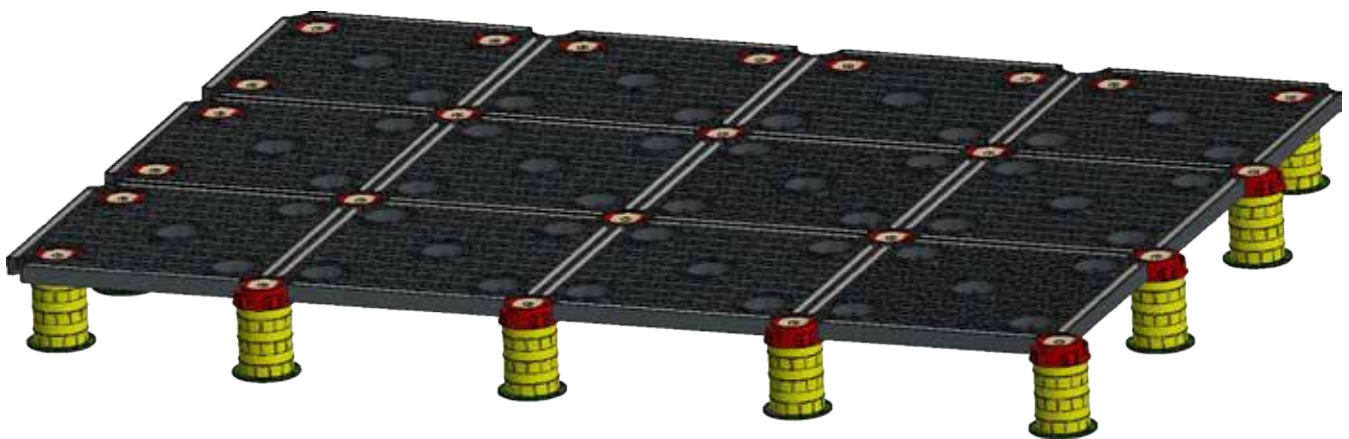
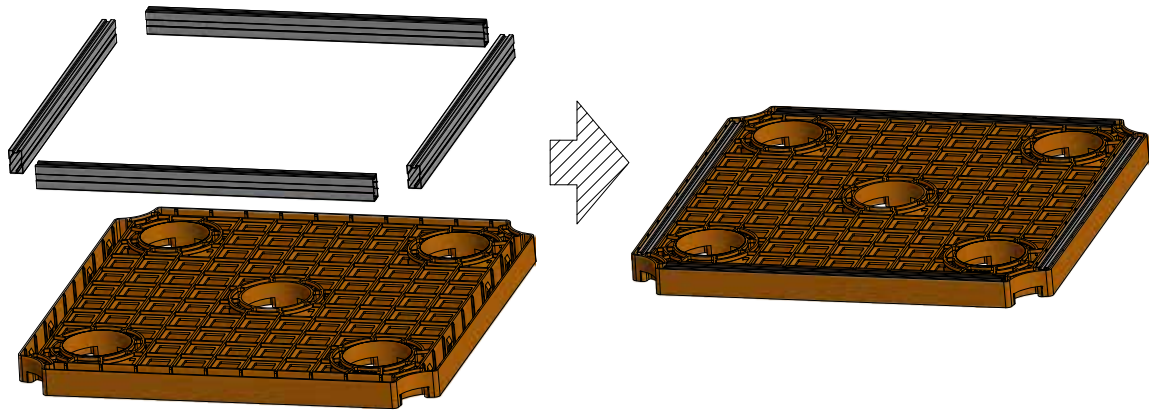
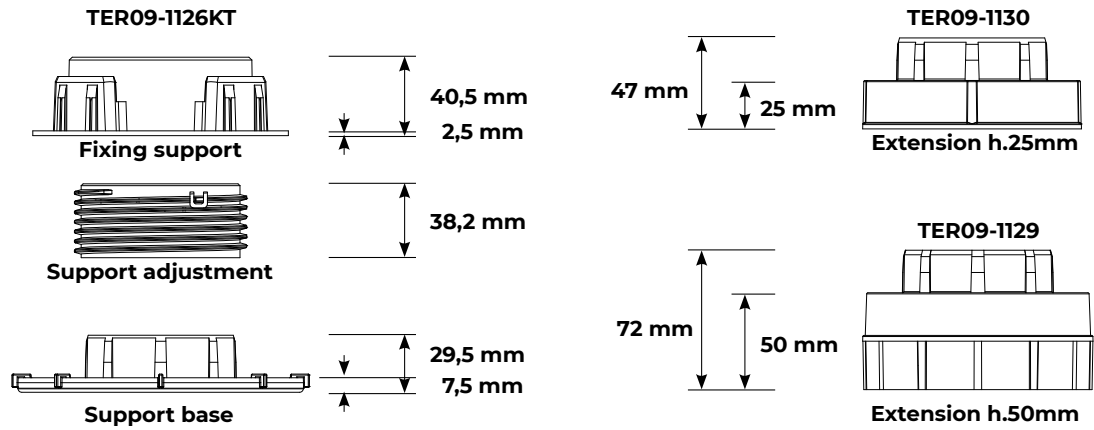
TER09-1125



POZ95-1313



LEVEL UP - CERAMIC


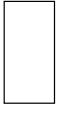

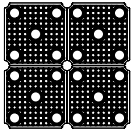
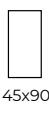
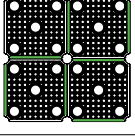


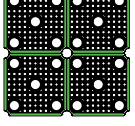


LEVEL UP - CERAMIC

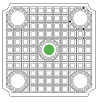
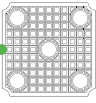

2. USE

Modular structure for the laying of floating floors for outdoor use.

The system is specifically designed for the installation of tiles of various thicknesses and sizes, both with simple laying and with a stretcher bond pattern.

SIZES	STRINGERS NUMBER	
 90x90  90x120  60x60	NO ELEMENTS CONTEMPLATED	
 45x90	2 REINFORCEMENT PROFILES (LAID IN ALTERNATE PAIRS)	
 40x120  30x120	4 REINFORCEMENT PROFILES (COMPLETE LAYING)	

3. LOAD TESTS

BREAKAGE LOAD*		1 daN = 1 Kg
PUNCTUAL LOAD	MIDDLE OF THE PANEL 	> 900 daN
	MIDDLE OF THE SIDE 	> 700 daN
	DIAGONAL LINE 	> 900 daN
	MAX WORKING LOAD EN 12825 SAFETY FACTOR=2	375 daN
DISTRIBUTED LOAD	MAX DISTRIBUTED LOAD.	1.875 daN/m ²

*Load test are made with 4 reinforcement profiles installed on each laying module.

4. TECHNICAL SPECIFICATION

Specification	Description	Unit
Dak.O.TER09.1125	Modular structure system for the laying of floating floors. The system is specifically designed for the use of tiles of various thicknesses and sizes, both with simple laying and with an stretcher bond pattern. Designed and reinforced to be durable and functional. Available in black colour. System made of PP (polypropylene). Dimensions 600 x 600 mm.....	
Dak.O.POZ95.1313	Reinforcement profile, made of galvanized steel. Dimension: length 482 mm, Thickness 19 mm, height 34 mm	pc.
Dak.O.TER09.1126KT	Raising system for Level Up laying module, for height from 48 to 74 mm.....	pc.
Dak.O.TER09.1130	Extension made of PP, h.25 mm.....	pc.
Dak.O.TER09.1129	Extension made of PP, h.50 mm.....	pc.
Dak.O.TER09.1133	Fixed support made of PP, ø123 - h. 40 mm.....	pc.
Dak.O.TER09.1144	Sound absorbing mat made of TPV Rubber, 200 x 200 - spess. 3 mm.....	pz.