

# ARKIMEDE NANO - ADJUSTABLE SUPPORT



## INDEX

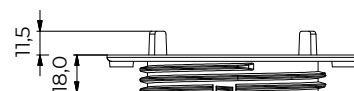
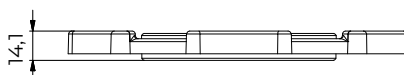
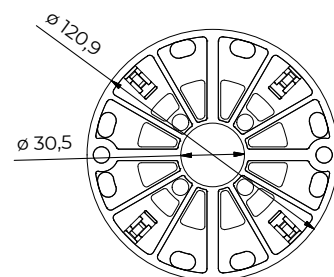
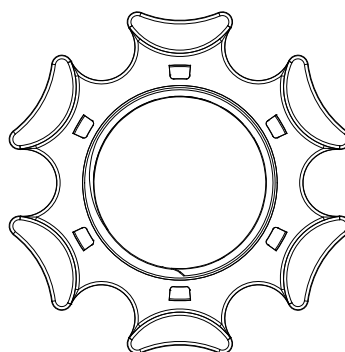
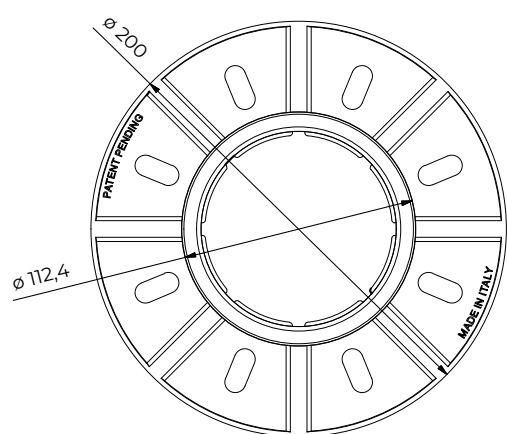
1. Code Registry
2. Use
3. Technical Specification
4. Loaded Test

## 1. CODE REGISTRY

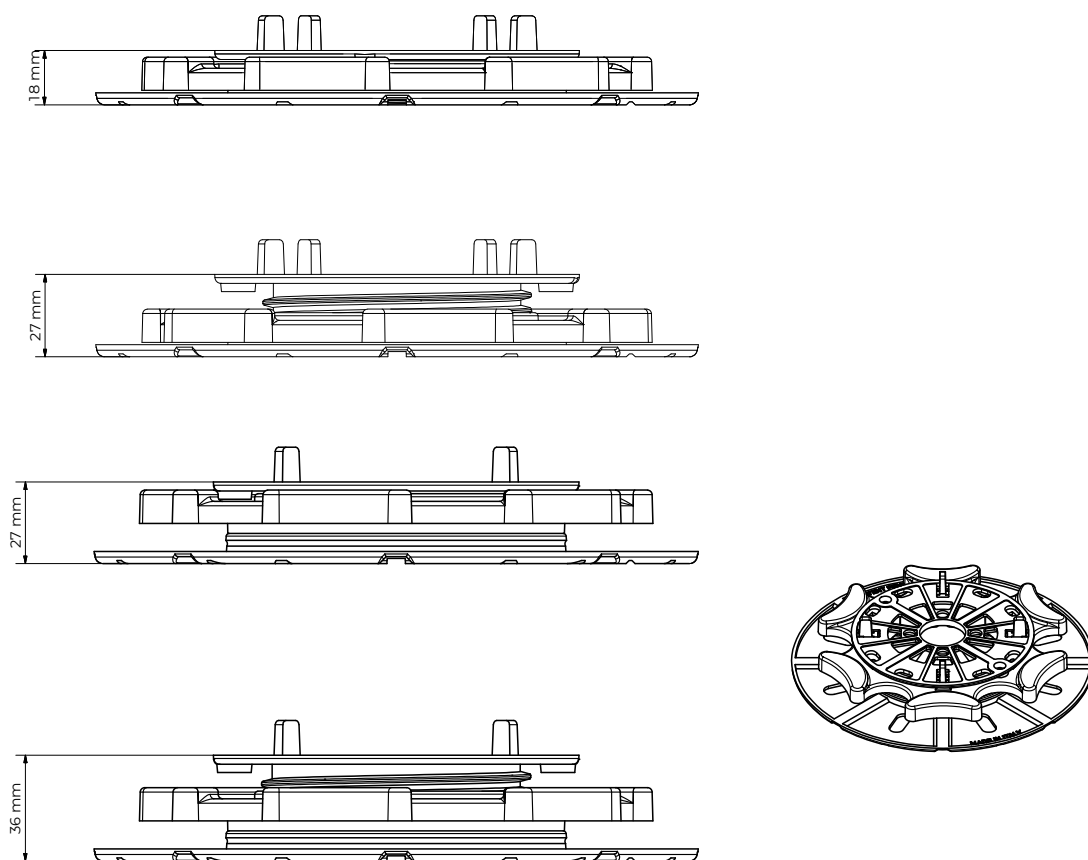
Code	Description	Dimension (mm)	Weight	Pkg. / Pallet
TER09-1145/4A2M	ARKIMEDE Nano - Spacer tabs thickness 2 mm h 10 mm	from 18 to 36	0,154 kg/pcs	30 pcs / 1.350 pcs
TER09-1145/4A4M	ARKIMEDE Nano - Spacer tabs thickness 4 mm h 10 mm	from 18 to 36	0,154 kg/pcs	30 pcs / 1.350 pcs
TER09-1145/1	ARKIMEDE Nano - Head for joists	from 18 to 36	0,157 kg/pcs	30 pcs / 1.200 pcs

### MATERIAL

Made of PP (polypropylene).



# ARKIMEDE NANO - ADJUSTABLE SUPPORT



## 2. USE

Used in external areas, terraces, pavements.

Operating temperature: from - 40 ° C to + 80 ° C.

## 3. TECHNICAL SPECIFICATION

Specification	Description	Unity	Price
<b>Dak.O.TER09.1145/x</b>	Supply and installation of ARKIMEDE NANO support with adjustable height starting from 18 mm to a maximum of 36 mm. Base laying surface: 314 cmq. Head diameter: 120 mm with a laying surface of 113 cmq. Available versions: • Box composed by the base, rotating nut and head with 4 spacer tabs of 2 mm thickness and 9 mm extension. • Box composed by the base, rotating nut and head with 4 spacer tabs of 4 mm thickness and 9 mm extension. • Box composed by the base, rotating nut and 1 head for decking structures and 9 mm extension. The base allows the correct water drainage. Made of PP (polypropylene). Impiego in aree esterne, terrazze, pavimentazioni condivise.		
<b>Dak.O.TER09.1145/4A2M</b>	4 tabs - 2 mm.....	pcs	-
<b>Dak.O.TER09.1145/4A4M</b>	4 tabs - 4 mm.....	pcs	-
<b>Dak.O.TER09.1145/1A</b>	1 fixed tabs .....	pcs	-

# ARKIMEDE NANO - ADJUSTABLE SUPPORT

## 4. LOADED TEST

	Maximum Load at yield [kN]
<b>Test 1</b>	10,90
<b>Test 2</b>	10,70
<b>Test 3</b>	11,60
<b>Average Value</b>	<b>11,06</b>

